

ACTIVE CHILLED BEAM LINEAR - ADJUSTABLE NOZZLE

OPTIONS:

- INLET LOCATION (SEE PAGE 2)
- INLET DAMPER (SEE PAGE 9)
- VOLUME FLOW REGULATOR (SEE PAGE 10)
- BORDER STYLE (SEE PAGE 8)
- MOUNTING BRACKET (SEE PAGE 3)
- CASING ACCESSORY (SEE PAGE 4)
- SLIMLINE COUPLING (SEE PAGE 5)
- COIL CONNECTION (SEE PAGE 5)
- ACCESS BLANK SECTION (SEE PAGE 6)
- RETURN/EXHAUST SECTION (SEE PAGE 6)
- AIR DIFFUSER SECTION (SEE PAGE 6)
- PATTERN CONTROLLER (SEE PAGE 7)

COIL TYPE:

- 2P1C-NODV - 2 PIPE, 1 CIRCUIT
- 2P1C-DV - 2 PIPE, 1 CIRCUIT W/ DRAIN AND VENT
- 2P2C-NODV - 2 PIPE, 2 CIRCUIT
- 2P2C-DV - 2 PIPE, 2 CIRCUIT W/ DRAIN AND VENT
- 4P1C-NODV - 4 PIPE, 1 CIRCUIT
- 4P1C-DV - 4 PIPE, 1 CIRCUIT W/ DRAIN AND VENT
- 4P2C-NODV - 4 PIPE, 2 CIRCUIT
- 4P2C-DV - 4 PIPE, 2 CIRCUIT W/ DRAIN AND VENT

COIL CONNECTION:

- SWT - 1/2" SWEAT
- FNPT - 1/2" NPT - FEMALE
- FNPT-E - 1/2" NPT - FEMALE - ELBOW
- MNPT - 1/2" NPT - MALE

COIL FINISH:

- NONE - UNPAINTED (DEFAULT)
- BLK - BLACK PAINTED COIL

INLET SIZE:

- 5 - 5" ROUND
- 6E - 6" OVAL EQUIV. (4"H x 7"W)
- 8E - 8" OVAL EQUIV. (4"H x 10.125"W)

SAFETY TETHER:

- NONE (DEFAULT)
- ST - FACE SAFETY TETHER

FACE STYLE :

- P - PERFORATED
- G - BAR GRILLE

PLENUM FINISH :

- GLV - UNPAINTED GALVANNEAL (DEFAULT)
- MATCH - PLENUM MATCHES UNIT FINISH

INSULATION:

- NONE (DEFAULT)
- INT - INTERNAL 1/2" FIBERFREE
- EXT - EXTERNAL 1/2" FIBERFREE
- INEX - INTERNAL & EXTERNAL

PROTECTIVE FILM:

- NONE (DEFAULT)
- PF - PROTECTIVE FILM

FINISH:

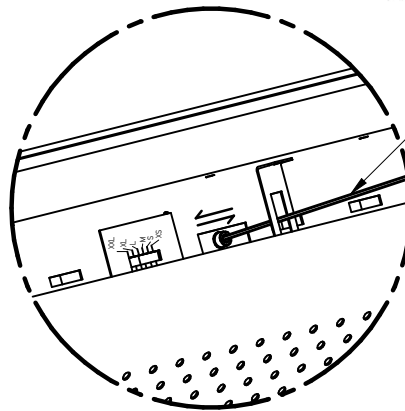
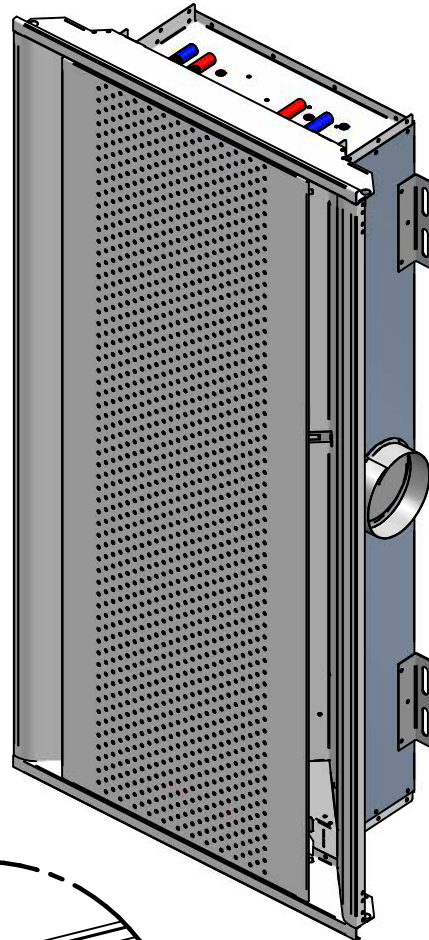
- B12 - STANDARD WHITE (DEFAULT)
- SPL - SPECIAL COLOR

ELEVATION

- SEA LEVEL
- HIGH ALTITUDE _____ FT

NOTES:

- STANDARD CONSTRUCTION: 20 GAUGE CASING CONSTRUCTION (STEEL)
- NOZZLE SETTING DEFAULT TO HIGHEST (6 NOZZLE OPTIONS)
- COIL HANDING IS FIXED
- FACTORY TOLERANCE ± 1/32"



ALLEN KEY (SHIPPED LOOSE)

* USE ALLEN KEY TO PUSH SCREW TO THE LEFT OR RIGHT TO CHANGE NOZZLE SETTING (NOZZLE SIZE L SHOWN)

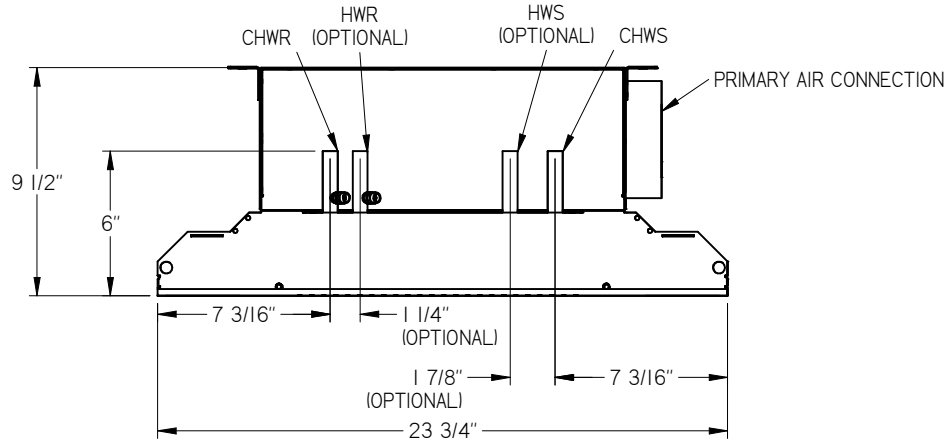
ADJUSTMENT DETAIL

NOMINAL LENGTH	ACTUAL LENGTH (L)
24"	23 3/4"
48"	47 3/4"
72"	71 3/4"
96"	95 3/4"
120"	119 3/4"

PROJECT:		PRICE
ENGINEER:		
CUSTOMER:		DY
SUBMITTAL DATE:		272330
SPEC. SYMBOL:		2020/07/14
		ACBL-AN ACTIVE CHILLED BEAM LINEAR ADJUSTABLE NOZZLE

ACTIVE CHILLED BEAM LINEAR - ADJUSTABLE NOZZLE

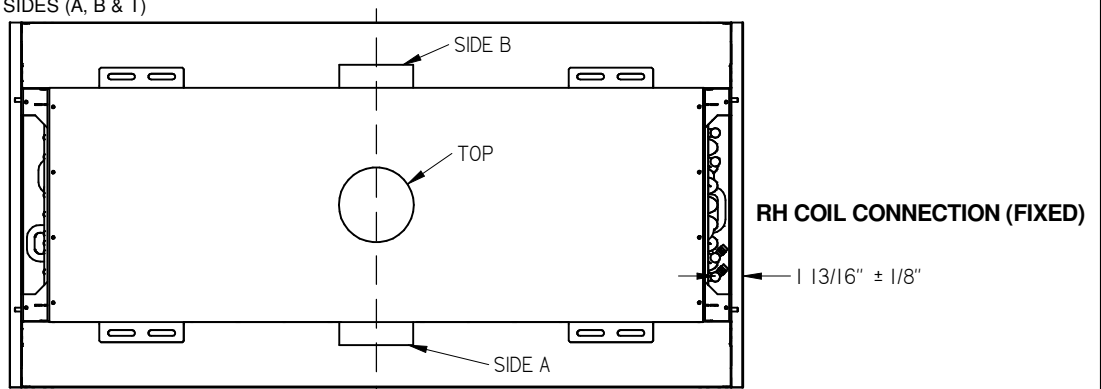
COIL PIPING SIDE VIEW SHOWN



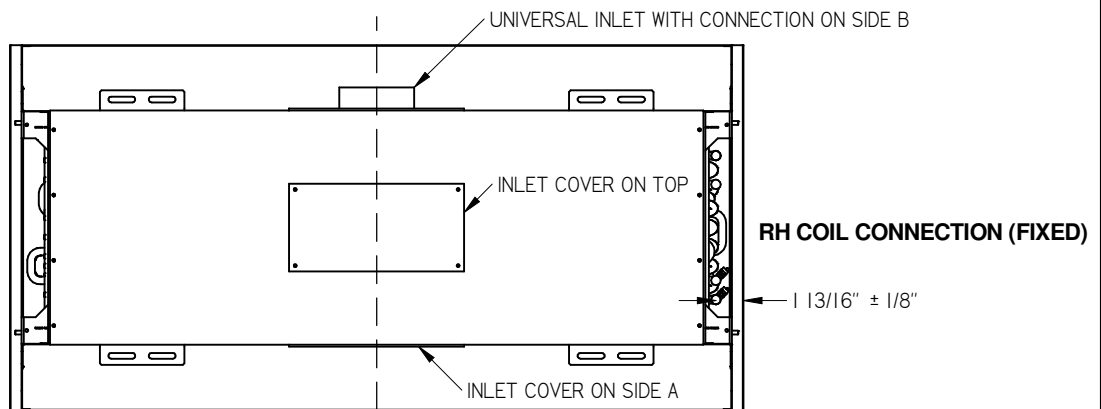
INLET LOCATION OPTIONS:

- A - SIDE A
- B - SIDE B
- T - TOP
- UNI - UNIVERSAL INLET ON ALL SIDES (A, B & T)

FIXED INLET
TOP VIEW SHOWN



UNIVERSAL INLET
TOP VIEW SHOWN



NOTES FOR UNIVERSAL INLET:
 * ATTACH WITH SELF THREADING SCREWS PROVIDED.
 * FIELD ADJUSTABLE, FACTORY INSTALLED INLET WITH CONNECTION ON SIDE B.

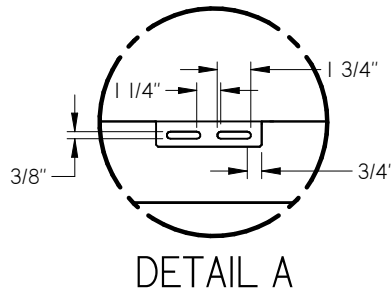
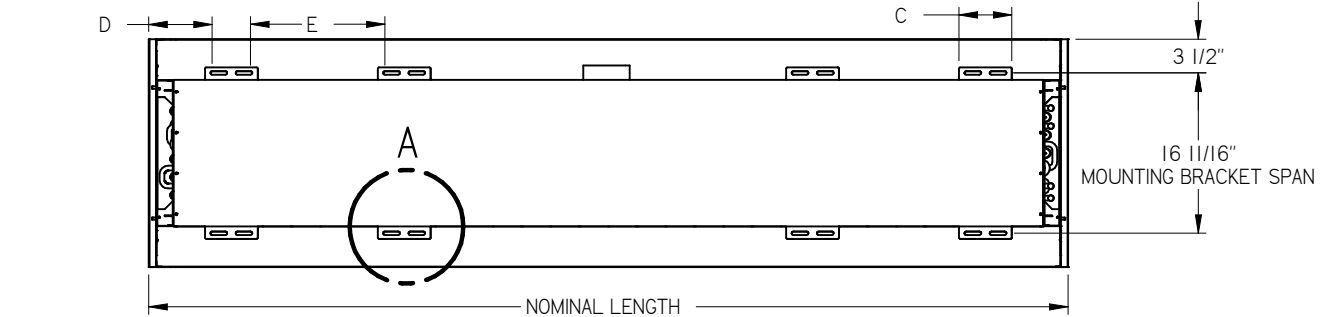
PROJECT:		PRICE	
ENGINEER:		DY	ACBL-AN
CUSTOMER:		272330	ACTIVE CHILLED BEAM LINEAR ADJUSTABLE NOZZLE
SUBMITTAL DATE:	SPEC. SYMBOL:	2020/07/14	

ACTIVE CHILLED BEAM LINEAR - ADJUSTABLE NOZZLE

MOUNTING BRACKET:

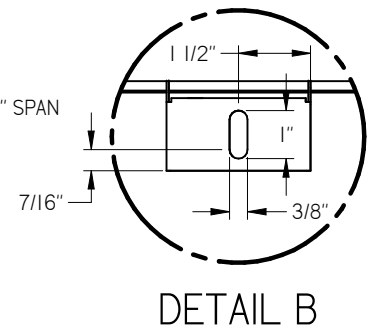
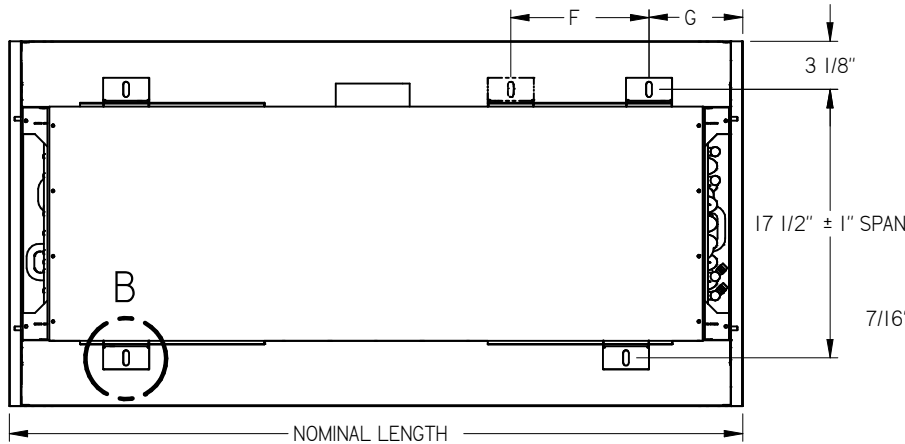
- FIX - FIXED BRACKET (DEFAULT)
- DIN - ADJUSTABLE BRACKET

FIXED MOUNTING BRACKET SHOWN



FIXED BRACKET AMOUNT PER LENGTH					
	NOMINAL LENGTH				
	24"	48"	72"	96"	120"
QTY	4	4	4	8	8
BRACKET LENGTH (C)	2 1/2"	5 1/2"	5 1/2"	5 1/2"	5 1/2"
LENGTH (D)	4 3/16"	6 5/8"	6 5/8"	6 5/8"	6 5/8"
BRACKET SPACING (E)	N/A	N/A	N/A	14"	14"

ADJUSTABLE MOUNTING BRACKET SHOWN



ADJUSTABLE BRACKET AMOUNT PER LENGTH					
	NOMINAL LENGTH				
	24"	48"	72"	96"	120"
QTY	4	4	4	6	6
BRACKET TRAVEL LENGTH (F)	1/2"	9"	21"	33"	45"
LENGTH (G)	4 5/8"	6 1/8"	6 1/8"	6 1/8"	6 1/8"

* ADJUSTABLE BRACKET OPTION DOES NOT APPLY TO 24" LONG BEAM WITH UNIVERSAL INLET.

PROJECT:

ENGINEER:

CUSTOMER:

SUBMITTAL DATE:

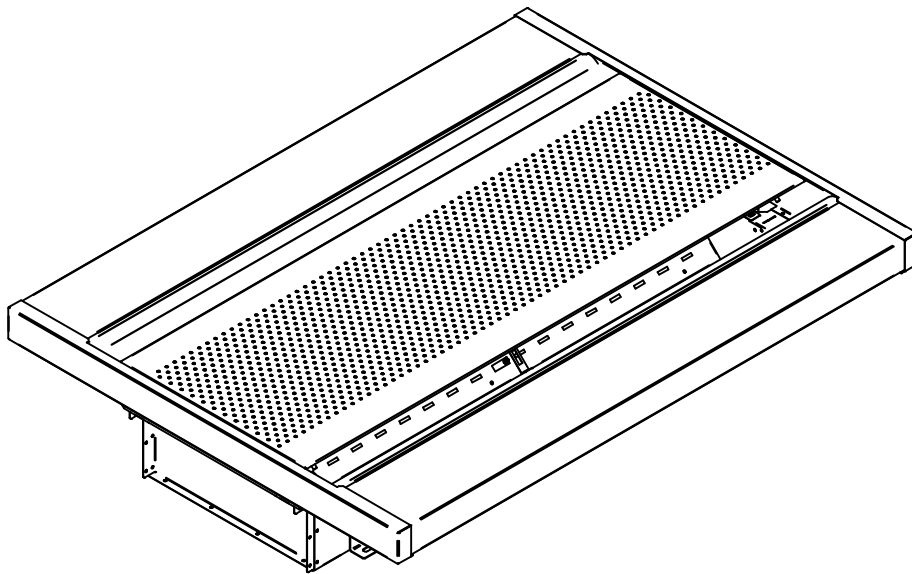
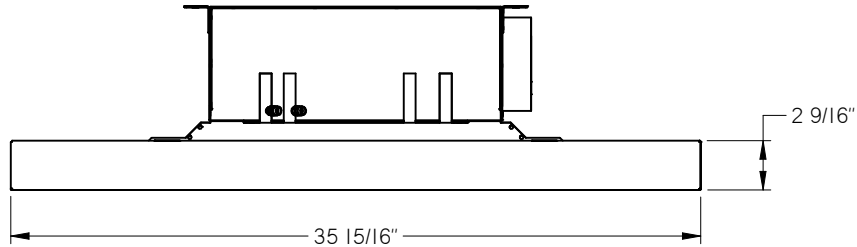
SPEC. SYMBOL:

PRICE	
DY	ACBL-AN
272330	ACTIVE CHILLED BEAM LINEAR ADJUSTABLE NOZZLE
2020/07/14	

ACTIVE CHILLED BEAM LINEAR - ADJUSTABLE NOZZLE

CASING ACCESSORY:

- NONE (DEFAULT)
- WNG6 - COANDA WINGS
(ENDCAPS AND HARDWARE SHIPPED LOOSE)



PROJECT:



ENGINEER:

DY

CUSTOMER:

272330

ACBL-AN
ACTIVE CHILLED BEAM LINEAR
ADJUSTABLE NOZZLE

SUBMITTAL DATE:

SPEC. SYMBOL:

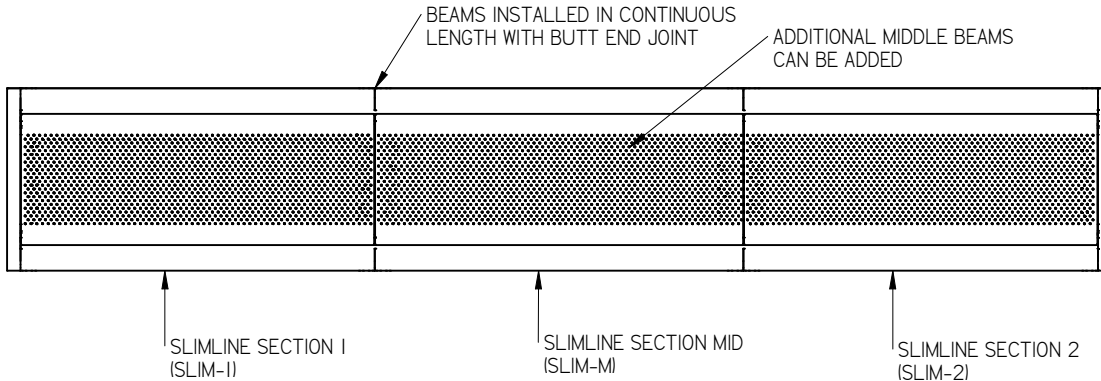
2020/07/14

ACTIVE CHILLED BEAM LINEAR - ADJUSTABLE NOZZLE

SLIMLINE COUPLING:

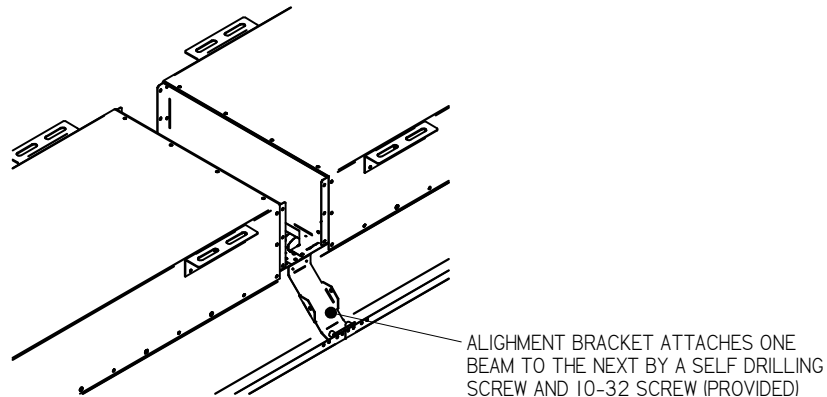
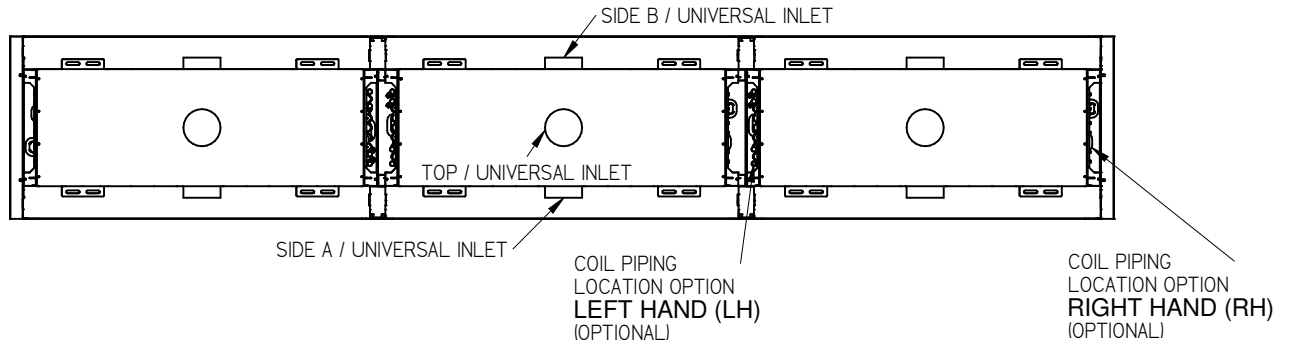
- NONE (DEFAULT)
- SLIML-1 - SLIMLINE COUPLING 1
- SLIML-2 - SLIMLINE COUPLING 2
- SLIML-MID - SLIMLINE COUPLING MID

NOTES: UNITS SHOWN WITHOUT ANY ACCESSORIES.
UNITS SHIP SEPARATELY. ASSEMBLY ON SITE REQUIRED
GRILLE FACE IS NOT CONTINUOUS.



COIL ORIENTATION:

- (ONLY FOR SLIMLINE OPTION)
- LH - LEFT HAND
 - RH - RIGHT HAND



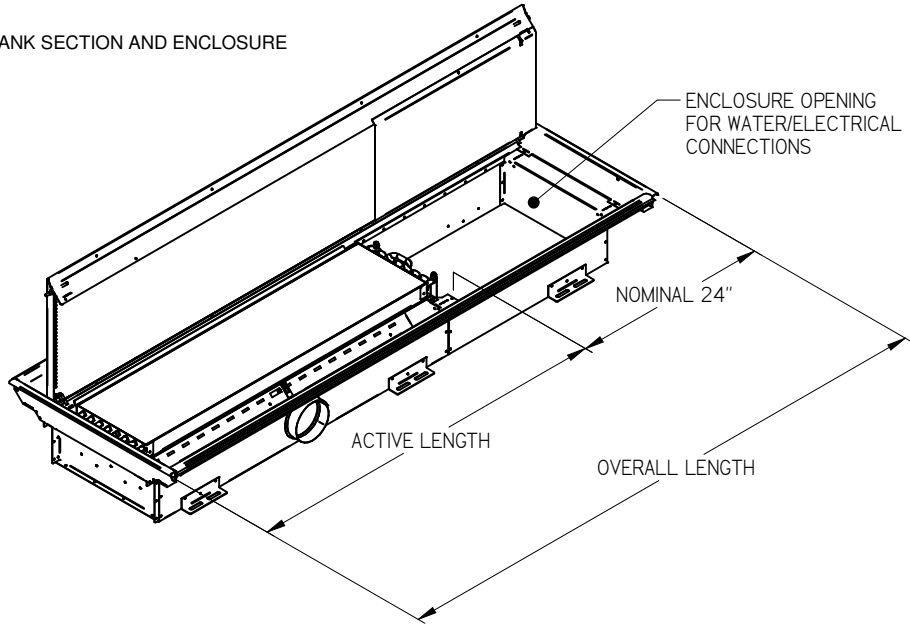
PROJECT:		PRICE	
ENGINEER:		DY	ACBL-AN ACTIVE CHILLED BEAM LINEAR ADJUSTABLE NOZZLE
CUSTOMER:		272330	
SUBMITTAL DATE:	SPEC. SYMBOL:	2020/07/14	

ACTIVE CHILLED BEAM LINEAR - ADJUSTABLE NOZZLE

ACCESS BLANK SECTION:

- NONE (DEFAULT)
- ABS24 - 24" LONG FACE ACCESSIBLE BLANK SECTION AND ENCLOSURE
(ADD 24" TO ACTIVE LENGTH)
(LOCATED ON COIL CONNECTION END)

* OVERALL LENGTH OF BEAM IS INCREASED BY 24".
MAXIMUM OVERALL BEAM LENGTH IS 120".



RETURN/EXHAUST SECTION:

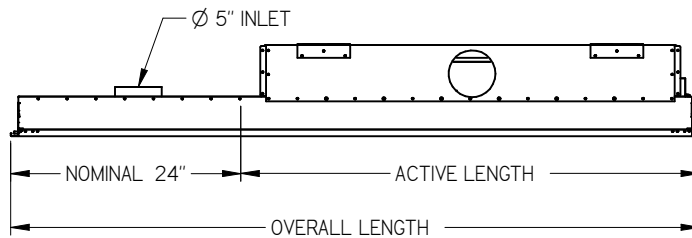
- NONE (DEFAULT)
- RET24 - 24" RETURN SECTION
(ADD 24" TO ACTIVE LENGTH)
(LOCATED OPPOSITE OF COIL CONNECTION END)

* OVERALL LENGTH OF BEAM IS INCREASED BY 24".
MAXIMUM OVERALL BEAM LENGTH IS 120".

AIR DIFFUSER SECTION:

- NONE (DEFAULT)
- ADS24 - 24" AIR DIFFUSER SECTION
(ADD 24" TO ACTIVE LENGTH)
(LOCATED OPPOSITE OF COIL CONNECTION END)

* OVERALL LENGTH OF BEAM IS INCREASED BY 24".
MAXIMUM OVERALL BEAM LENGTH IS 120".



PROJECT:

ENGINEER:

CUSTOMER:

SUBMITTAL DATE:

SPEC. SYMBOL:



DY

272330

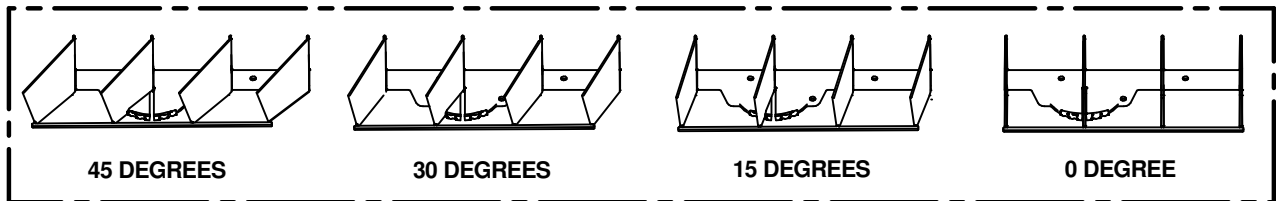
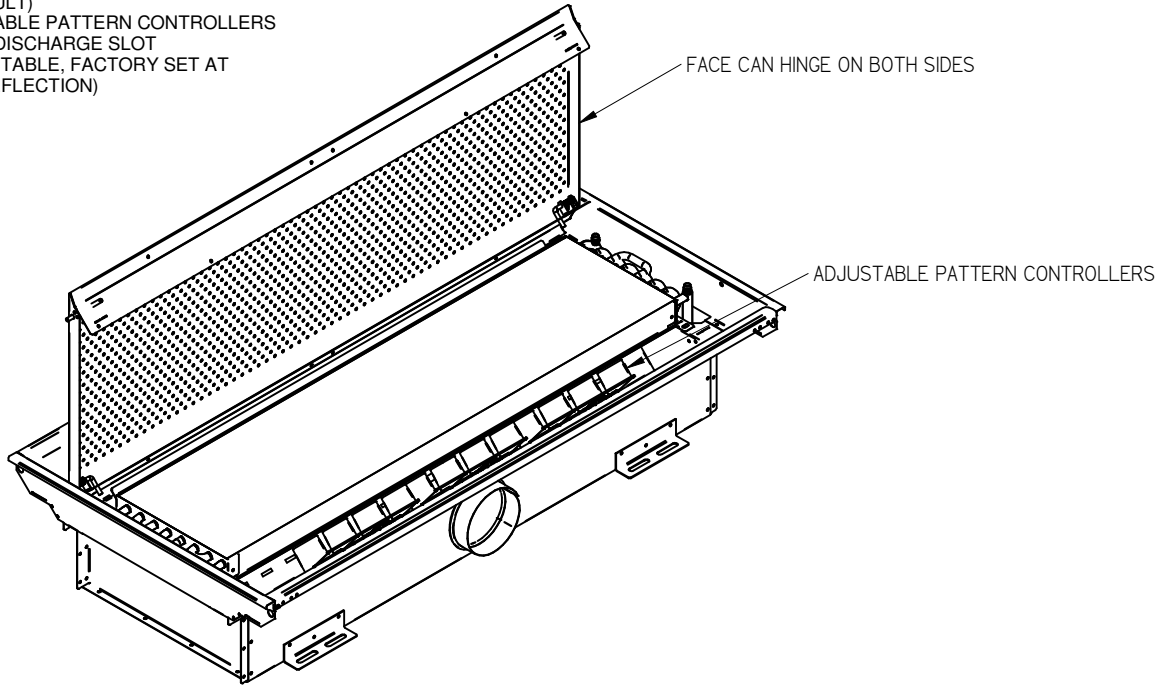
2020/07/14

ACBL-AN
ACTIVE CHILLED BEAM LINEAR
ADJUSTABLE NOZZLE

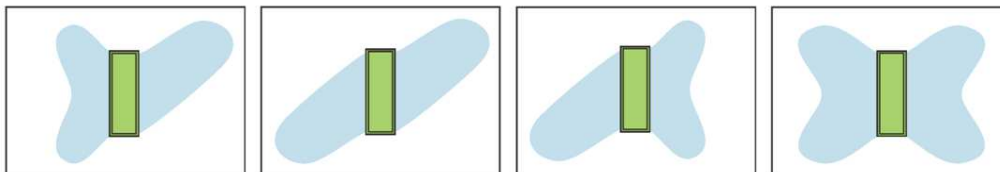
ACTIVE CHILLED BEAM LINEAR - ADJUSTABLE NOZZLE

PATTERN CONTROLLERS:

- NONE (DEFAULT)
- PC - ADJUSTABLE PATTERN CONTROLLERS
LOCATED IN DISCHARGE SLOT
(FIELD ADJUSTABLE, FACTORY SET AT
0 DEGREE DEFLECTION)



VARIOUS PATTERN CONFIGURATIONS, CONTACT APPLICATION ENGINEERING FOR ASSISTANCE

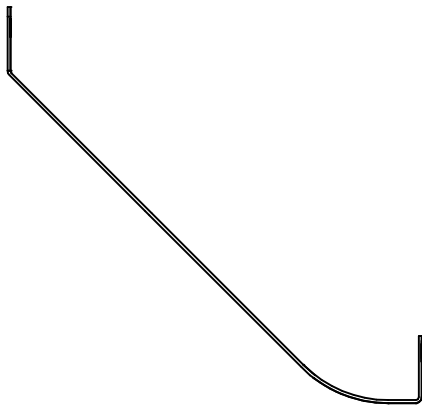


PROJECT:		PRICE	
ENGINEER:		DY 272330	ACBL-AN ACTIVE CHILLED BEAM LINEAR ADJUSTABLE NOZZLE
CUSTOMER:			
SUBMITTAL DATE:	SPEC. SYMBOL:	2020/07/14	

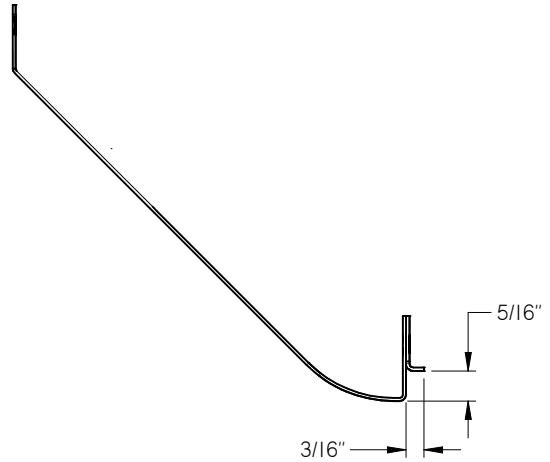
ACTIVE CHILLED BEAM LINEAR - ADJUSTABLE NOZZLE

BORDER STYLE:

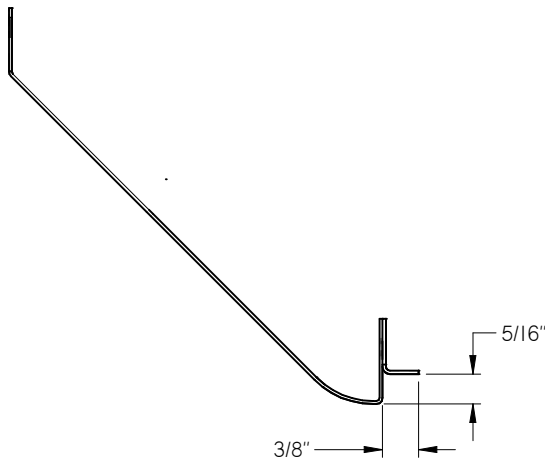
- NONE - STANDARD (DEFAULT)
- T9 - 9/16" TEGULAR
- T15 - 15/16" TEGULAR



STANDARD EDGE



9/16" TEGULAR EDGE



15/16" TEGULAR EDGE

PROJECT:



ENGINEER:

DY

CUSTOMER:

272330

ACBL-AN
ACTIVE CHILLED BEAM LINEAR
ADJUSTABLE NOZZLE

SUBMITTAL DATE:

SPEC. SYMBOL:

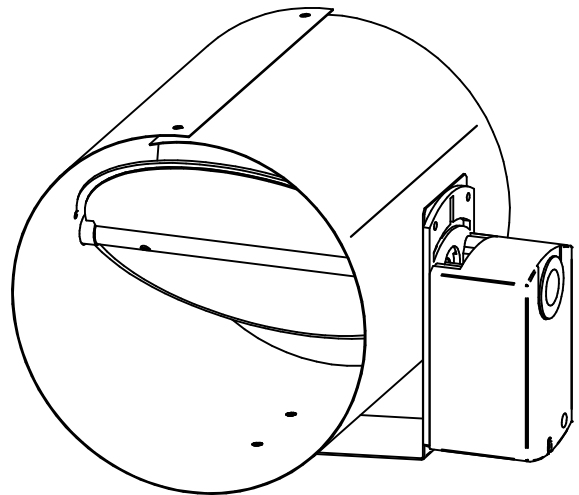
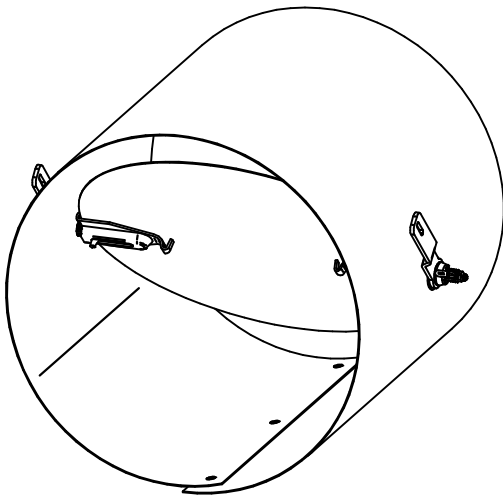
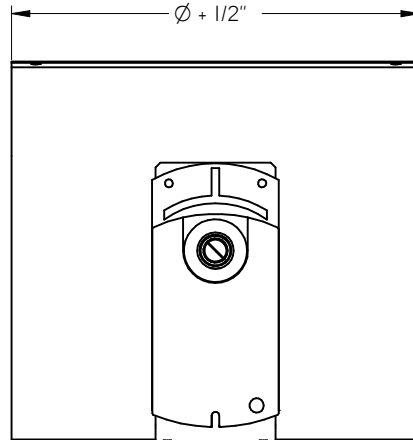
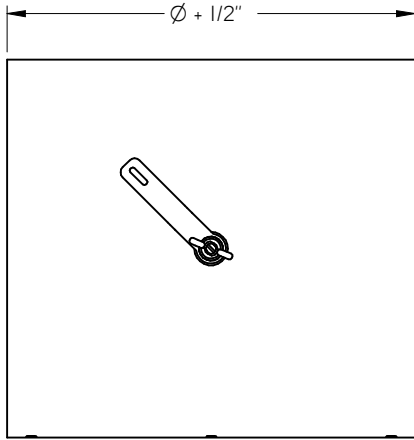
2020/07/14

ACTIVE CHILLED BEAM LINEAR - ADJUSTABLE NOZZLE

DAMPER OPTIONS (SHIPPED LOOSE):
 (DAMPERS SHOULD NOT BE MOUNTED DIRECTLY TO THE INLET AND SHOULD ONLY BE USED FOR TRIMMING AIRFLOW)

- NONE (DEFAULT)
- MQ5 - 5" DAMPER W/
MANUAL LOCKING QUADRANT
- MQ6 - 6" DAMPER W/
MANUAL LOCKING QUADRANT
- MQ8 - 8" DAMPER W/
MANUAL LOCKING QUADRANT

- VAV5 - 5" DAMPER W/ 24VAC
FLOATING POINT ACTUATOR
- VAV6 - 6" DAMPER W/ 24VAC
FLOATING POINT ACTUATOR
- VAV8 - 8" DAMPER W/ 24VAC
FLOATING POINT ACTUATOR



PROJECT:



ENGINEER:

DY

CUSTOMER:

272330

ACBL-AN
 ACTIVE CHILLED BEAM LINEAR
 ADJUSTABLE NOZZLE

SUBMITTAL DATE:

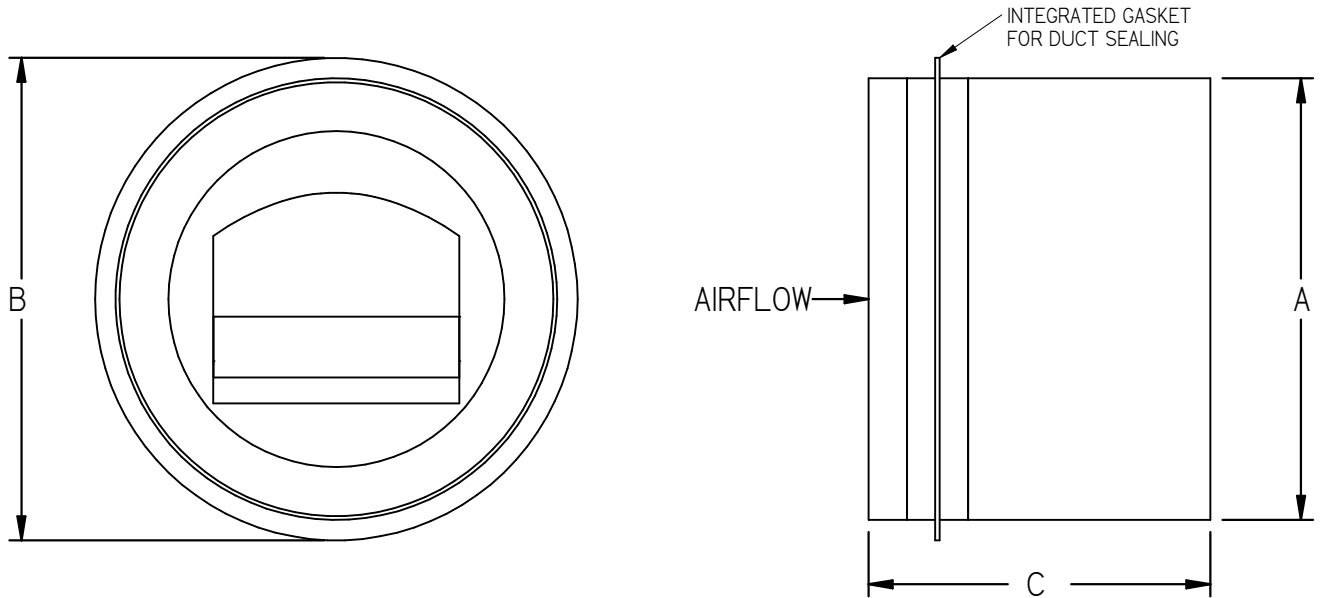
SPEC. SYMBOL:

2020/07/14

ACTIVE CHILLED BEAM LINEAR - ADJUSTABLE NOZZLE

VOLUME FLOW REGULATOR OPTIONS (SHIPPED LOOSE):

- | | | |
|--|--|--|
| <input type="checkbox"/> NONE (DEFAULT) | <input type="checkbox"/> VFR6-75 - 6" DUCT VFR, 75 CFM | <input type="checkbox"/> VFR8-125 - 8" DUCT VFR, 125 CFM |
| <input type="checkbox"/> VFR5-35 - 5" DUCT VFR, 35 CFM | <input type="checkbox"/> VFR6-90 - 6" DUCT VFR, 90 CFM | <input type="checkbox"/> VFR8-140 - 8" DUCT VFR, 140 CFM |
| <input type="checkbox"/> VFR5-50 - 5" DUCT VFR, 50 CFM | <input type="checkbox"/> VFR6-105 - 6" DUCT VFR, 105 CFM | <input type="checkbox"/> VFR8-160 - 8" DUCT VFR, 160 CFM |
| <input type="checkbox"/> VFR5-60 - 5" DUCT VFR, 60 CFM | <input type="checkbox"/> VFR6-125 - 6" DUCT VFR, 125 CFM | <input type="checkbox"/> VFR8-175 - 8" DUCT VFR, 175 CFM |
| <input type="checkbox"/> VFR5-75 - 5" DUCT VFR, 75 CFM | <input type="checkbox"/> VFR6-140 - 6" DUCT VFR, 140 CFM | <input type="checkbox"/> VFR8-205 - 8" DUCT VFR, 205 CFM |
| <input type="checkbox"/> VFR5-90 - 5" DUCT VFR, 90 CFM | <input type="checkbox"/> VFR6-160 - 6" DUCT VFR, 160 CFM | <input type="checkbox"/> VFR8-235 - 8" DUCT VFR, 235 CFM |
| <input type="checkbox"/> VFR5-105 - 5" DUCT VFR, 105 CFM | <input type="checkbox"/> VFR6-175 - 6" DUCT VFR, 175 CFM | <input type="checkbox"/> VFR8-265 - 8" DUCT VFR, 265 CFM |
| | | <input type="checkbox"/> VFR8-295 - 8" DUCT VFR, 295 CFM |



Duct Size	A	B	C	AIRFLOW SELECTIONS (CFM)
5" (125)	4.800	5.100	3.500	35, 50, 60, 75, 90, 105
6" (150)	5.800	6.100	3.500	75, 90, 105, 125, 140, 160, 175
8" (200)	7.600	8.100	3.500	125, 140, 160, 175, 205, 235, 265, 295

STANDARD CONSTRUCTION:

- BLACK ABS PLASTIC, UL94V-0 RATED
- UL2043 LISTED
- SIZED TO FIT INSIDE STANDARD RIGID ROUND DUCTING
- INTEGRATED GASKET FOR SEALING AGAINST INSIDE OF DUCT

PERFORMANCE:

- CONTROLS AIRFLOW WITHIN 10% OF RATED FLOW (15% FOR UNITS 50CFM OR LESS) FOR 0.2" TO 0.8" W.C.

PROJECT:		PRICE	ACBL-AN ACTIVE CHILLED BEAM LINEAR ADJUSTABLE NOZZLE
ENGINEER:			
CUSTOMER:		272330	
SUBMITTAL DATE:	SPEC. SYMBOL:	2020/07/14	